

Optima

OC1602C

◎ Feature

Item	Info.
Resolution	16*2
Power supply	5V
Interface	6800
IC	ST7066
Duty/ Bias	1/16 Duty/ 1/5 Bias
Option	-

◎ Mechanical Data (unit: mm)

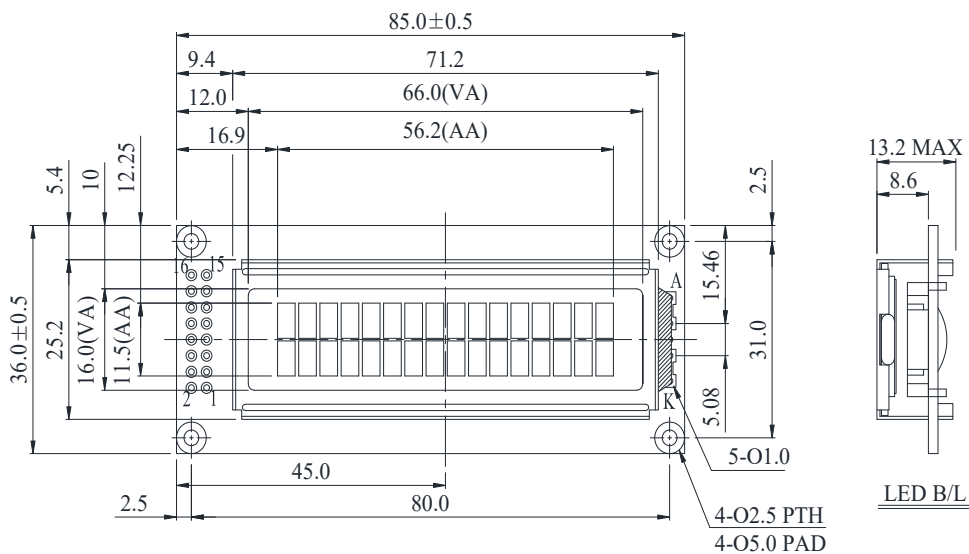
Item	Dimension
Module dimension	85.0 x 36.0
View area	66.0 x 16.0
Active area	56.20 x 11.50
Dot pitch	0.6 x 0.7

◎ Electrical Characteristics (unit: V)

Item	Min	Typ	Max
Supply Voltage (VDD)	4.5	5.0	5.5
Voltage for Backlight	-	3.0	-

◎ Temperature Range (unit: °C)

Item	Min	Typ	Max
Operating Temp.	-20		70
Storage Temp.	-30		80



PIN NO.	SYMBOL
1	V _{SS}
2	V _{DD}
3	V _O
4	RS
5	R/ \bar{W}
6	E
7	DB0
8	DB1
9	DB2
10	DB3
11	DB4
12	DB5
13	DB6
14	DB7
15	A/V _{EE}
16	K