

Optima

OG24064K

◎ Feature

Item	Info.
Resolution	240*64
Power supply	5V
Interface	8080
IC	RA6963
Duty	1/64 Duty
Option	-

◎ Mechanical Data (unit: mm)

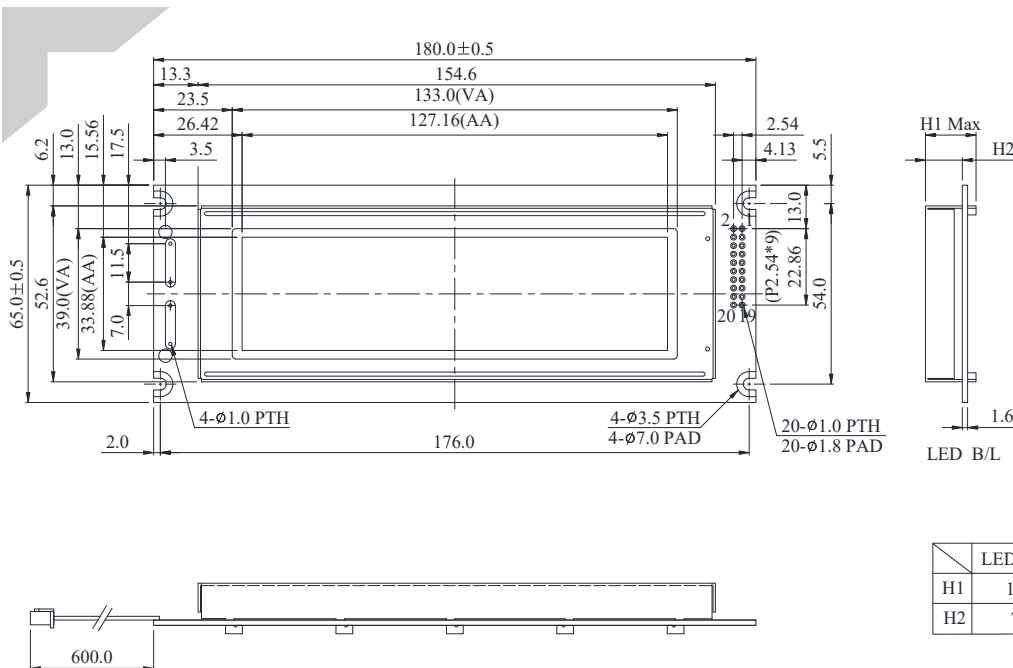
Item	Dimension
Module dimension	180.0 x 65.0
View area	133.0 x 39.0
Active area	127.16 x 33.88
Dot pitch	0.53 x 0.53

◎ Electrical Characteristics (unit: V)

Item	Min	Typ	Max
Supply Voltage (VDD)	4.5	5.0	5.5
Voltage for Backlight	-	3.0	-

◎ Temperature Range (unit: °C)

Item	Min	Typ	Max
Operating Temp.	-20		70
Storage Temp.	-30		80



PIN NO.	SYMBOL
1	FGND
2	Vss
3	Vdd
4	Vo
5	WR
6	RD
7	CE
8	C/D
9	Vee
10	RESET
11	DB0
12	DB1
13	DB2
14	DB3
15	DB4
16	DB5
17	DB6
18	DB7
19	FS
20	NC