

Optima

OG320240C0

◎ Feature

Item	Info.
Resolution	320*240
Power supply	5V
Interface	8080
IC	RA8835
Duty	1/240 Duty
Option	-

◎ Mechanical Data (unit: mm)

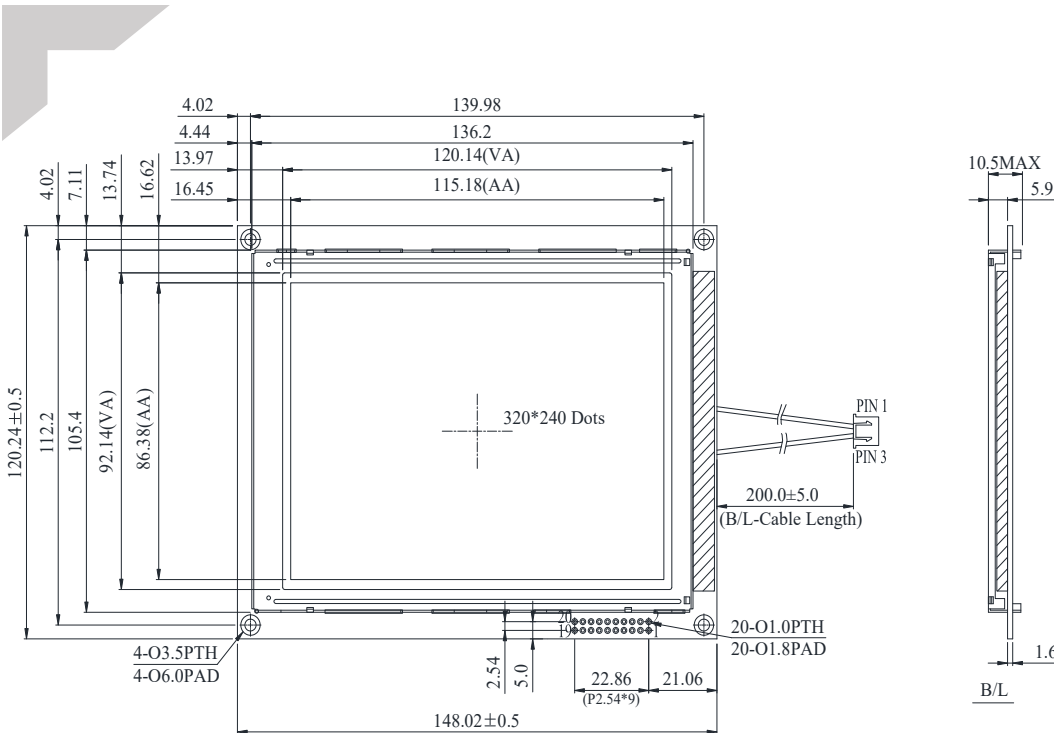
Item	Dimension
Module dimension	148.02 x 120.24
View area	120.14 x 92.14
Active area	115.18 x 86.38
Dot pitch	0.36 x 0.36

◎ Electrical Characteristics (unit: V)

Item	Min	Typ	Max
Supply Voltage (VDD)	4.5	5.0	5.5
Voltage for Backlight	-	3.3	-

◎ Temperature Range (unit: °C)

Item	Min	Typ	Max
Operating Temp.	-20		70
Storage Temp.	-30		80



PIN NO.	SYMBOL
1	Vss
2	Vdd
3	Vo
4	RD
5	WR
6	A0
7	DB0
8	DB1
9	DB2
10	DB3
11	DB4
12	DB5
13	DB6
14	DB7
15	CS
16	RES
17	Vee
18	FGND
19	NC
20	NC