

Optima

OF028CJT

◎ Feature

Item	Info.
Resolution	320*240
Power supply	3.3V
Interface	8080 8bit/16bit, SPI
IC	ST7789V
View Direction	3 o'clock
Touch Panel	RTP

◎ Mechanical Data (unit: mm)

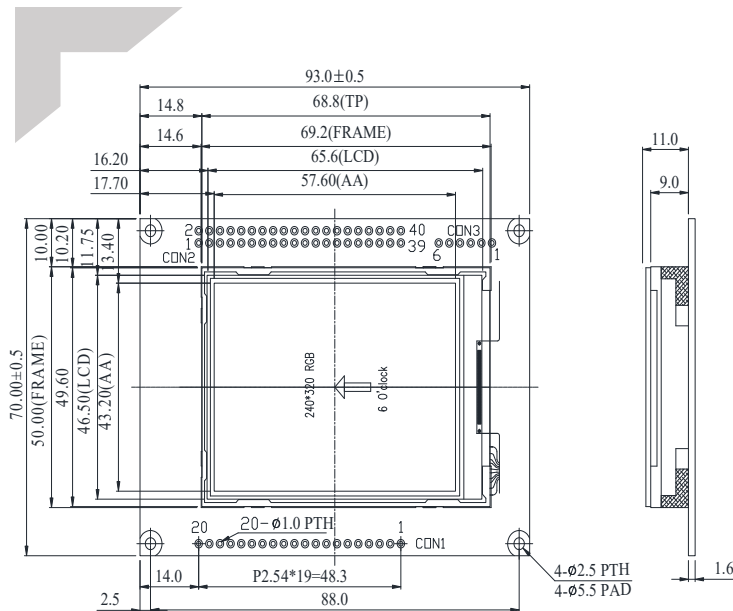
Item	Dimension
Module dimension	93.0 x 70.0
View area	59.5 x 45.2
Active area	57.60 x 43.20
Pixel size	0.18 x 0.18

◎ Electrical Characteristics (unit: V)

Item	Min	Typ	Max
Supply Voltage (VDD)	3.0	3.3	3.6
Voltage for Backlight	-	3.2	-

◎ Temperature Range (unit: °C)

Item	Min	Typ	Max
Operating Temp.	-20		70
Storage Temp.	-30		80



CON1	
PIN NO	SYMBOL
1	VSS
2	VDD
3	Vo
4	D/I
5	R/W
6	E
7	DB0
8	DB1
9	DB2
10	DB3
11	DB4
12	DB5
13	DB6
14	DB7
15	CS1
16	CS2
17	RES
18	Vout
19	A
20	K

CON2			
1	VSS	2	DB1
3	VDD	4	DB2
5	BL_EN	6	DB3
7	RS	8	DB4
9	WR	10	DB5
11	RD	12	DB6
13	DB9	14	DB7
15	DB10	16	DB8
17	DB11	18	R_CS
19	DB12	20	TP_CS
21	DB13	22	TP_INT
23	DB14	24	X+
25	DB15	26	Y+
27	DB16	28	X-
29	CS	30	Y-
31	F_CS	32	NC
33	RST	34	NC
35	SDD	36	NC
37	SDI	38	VDD
39	SCL	40	VSS

CON3	
PIN NO	SYMBOL
1	CS
2	SCL
3	SDD
4	SDI
5	VDD
6	VSS