

# Optima

## OF043DBN

### ◎ Feature

Item	Info.
Resolution	480*272
Power supply	3.3V
Interface	8080/6800, SPI
IC	RA8875
View Direction	12 o'clock
Touch Panel	-

### ◎ Mechanical Data (unit: mm)

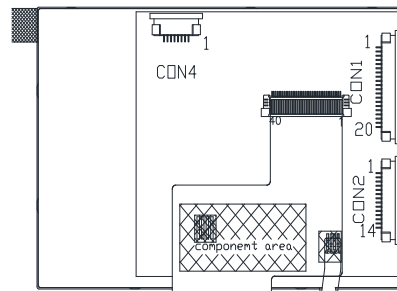
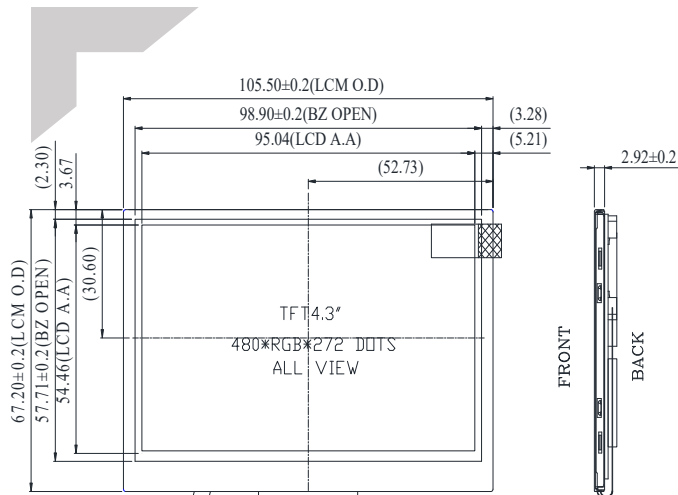
Item	Dimension
Module dimension	105.5 x 67.2
View area	98.9 x 57.71
Active area	95.04 x 54.46
Pixel size	0.198 x 0.198

### ◎ Electrical Characteristics (unit: V)

Item	Min	Typ	Max
Supply Voltage (VDD)	3.0	3.3	3.6
Voltage for Backlight	-	16	-

### ◎ Temperature Range (unit: °C)

Item	Min	Typ	Max
Operating Temp.	-20		70
Storage Temp.	-30		80



CON2(SPI)		CON1(MCU)	
PIN	NO SYMBOL	PIN	NO SYMBOL
1	GND	1	GND
2	VCC	2	VDD
3	SCS#	3	BL_E
4	SDD	4	RS
5	SDI	5	WR
6	SCL	6	RD
7	IICA0	7	DB0
8	IICA2	8	DB1
9	INT	9	DB2
10	WAIT	10	DB3
11	RST	11	DB4
12	BL_EN	12	DB5
13	LED+5V	13	DB6
14	LED-	14	DB7
		15	CS#
		16	RST
		17	WAIT
		18	INT
		19	LED+5V
		20	LED-

CON4(Flash ROM)	
PIN	NO SYMBOL
1	EN_PIN
2	SFCS1
3	SFDD
4	SFDI
5	SFCL
6	VCC
7	GND
8	GND