

Optima

OF043DBT

◎ Feature

Item	Info.
Resolution	480*272
Power supply	3.3V
Interface	8080/6800, SPI
IC	RA8875
View Direction	12 o'clock
Touch Panel	RTP

◎ Mechanical Data (unit: mm)

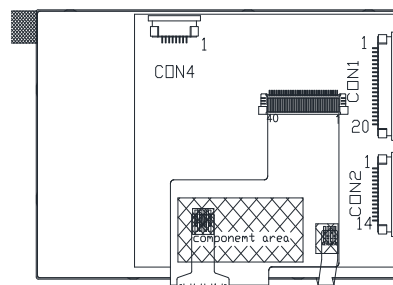
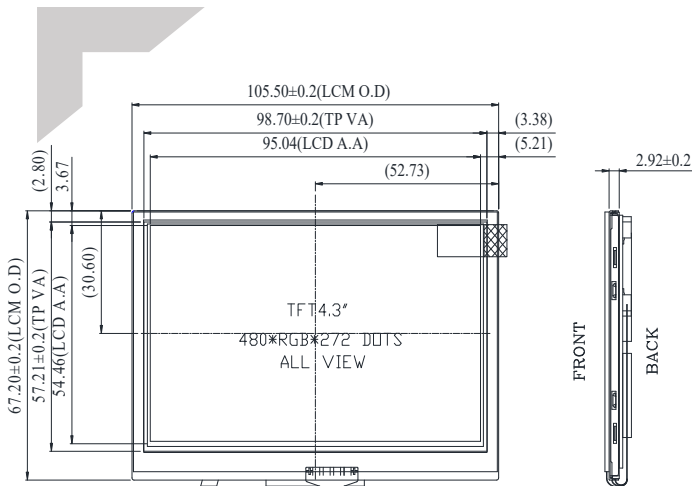
Item	Dimension
Module dimension	105.5 x 67.2
View area	98.7 x 57.21
Active area	95.04 x 54.46
Pixel size	0.198 x 0.198

◎ Electrical Characteristics (unit: V)

Item	Min	Typ	Max
Supply Voltage (VDD)	3.0	3.3	3.6
Voltage for Backlight	-	16	-

◎ Temperature Range (unit: °C)

Item	Min	Typ	Max
Operating Temp.	-20		70
Storage Temp.	-30		80



CON2(SPI)			CON1(MCU)		
PIN	NO	SYMBOL	PIN	NO	SYMBOL
1		GND	1		GND
2		VCC	2		VDD
3		SCS#	3		BL_E
4		SDO	4		RS
5		SDI	5		WR
6		SCL	6		RD
7		IICA0	7		DB0
8		IICA2	8		DB1
9		INT	9		DB2
10		WAIT	10		DB3
11		RST	11		DB4
12		BL_EN	12		DB5
13		LED+5V	13		DB6
14		LED-	14		DB7
			15		CS#
			16		RST
			17		WAIT
			18		INT
			19		LED+5V
			20		LED-

CON4(Flash ROM)		
PIN	NO	SYMBOL
1		EN_PIN
2		SFCS1
3		SFDO
4		SFDI
5		SFCL
6		VCC
7		GND
8		GND