

Optima

OF050CBT

◎ Feature

Item	Info.
Resolution	800*480
Power supply	3.3V
Interface	8080/6800, SPI
IC	RA8875
View Direction	12 o'clock
Touch Panel	RTP

◎ Mechanical Data (unit: mm)

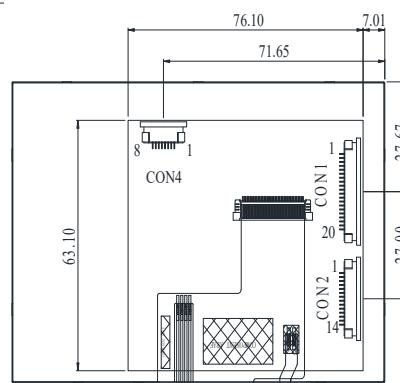
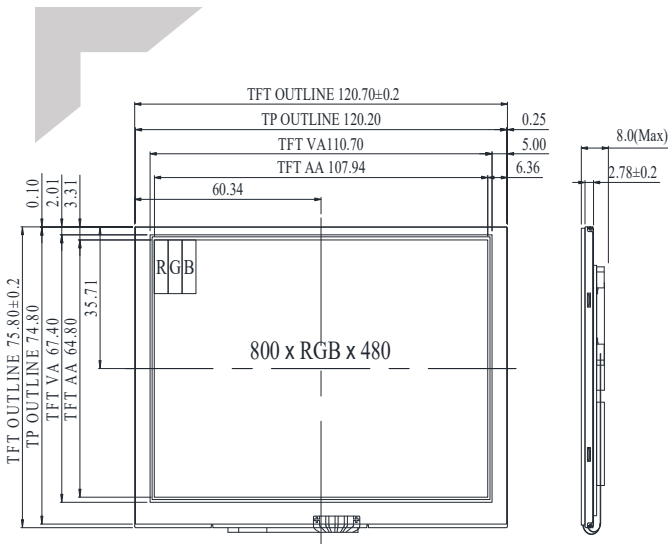
Item	Dimension
Module dimension	120.7 x 75.8
View area	110.7 x 67.4
Active area	107.94 x 64.8
Pixel size	0.135 x 0.135

◎ Electrical Characteristics (unit: V)

Item	Min	Typ	Max
Supply Voltage (VDD)	3.0	3.3	3.6
Voltage for Backlight	-	19.2	-

◎ Temperature Range (unit: °C)

Item	Min	Typ	Max
Operating Temp.	-20		70
Storage Temp.	-30		80



CON2(SPI)		CON1(MCU)	
PIN NO.	SYMBOL	PIN NO.	SYMBOL
1	GND	1	GND
2	VCC	2	VDD
3	SCS#	3	BL_E
4	SDO	4	RS
5	SDI	5	WR
6	SCL	6	RD
7	IICA0	7	DB0
8	IICA2	8	DB1
9	INT	9	DB2
10	WAIT	10	DB3
11	RST	11	DB4
12	BL_EN	12	DB5
13	LED+5V	13	DB6
14	LED-	14	DB7
		15	CS#
		16	RST
		17	WAIT
		18	INT
		19	LED+5V
		20	LED-

CON4(Flash ROM)	
PIN NO.	SYMBOL
1	EN_PIN
2	SFCSI
3	SFDO
4	SFDI
5	SFCL
6	VCC
7	GND
8	GND

