



OVF070HA1E812K128

◎ Feature

Item	Info.
Resolution	800*480
Power supply	12V
Interface	RS485
IC	ITE9854
View Direction	12 o'clock
Touch Panel	CTP

◎ Mechanical Data (unit: mm)

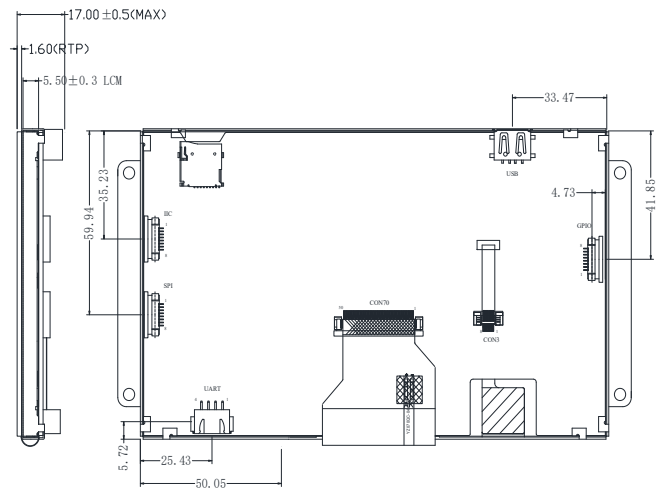
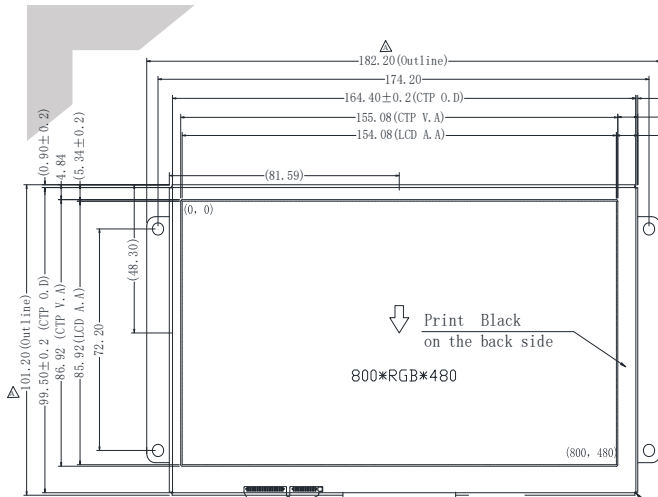
Item	Dimension
Module dimension	182.2 x 101.2
View area	155.08 x 86.92
Active area	154.08 x 85.92
Pixel size	0.1926 x 0.1790

◎ Electrical Characteristics (unit: V)

Item	Min	Typ	Max
Supply Voltage (VDD)	11.5	12.0	12.5
Voltage for Backlight	-	9.3	-

◎ Temperature Range (unit: °C)

Item	Min	Typ	Max
Operating Temp.	-20		70
Storage Temp.	-30		80



SPI

Pin	Symbol	Description
1	VCC	5V for logic
2	VCC	5V for logic
3	CS	Chip Select
4	MISO	Data input
5	MOSI	Data output
6	CLK	SPI Clock
7	GND	Ground
8	GND	Ground

IIC

Pin	Symbol	Description
1	VCC	5V for logic
2	VCC	5V for logic
3	INT	Interrupt
4	SBA	I2C Data
5	SEX	I2C Clock
6	GND	Ground
7	GND	Ground
8	GND	Ground

GPIO

Pin	Symbol	Description
1	GR0	GPIO_0
2	GP1	GPIO_1
3	GP2	GPIO_2
4	GP3	GPIO_3
5	GP4	GPIO_4
6	GP5	GPIO_5
7	VDD	3V Output
8	GND	Ground

UART

Pin	Symbol	Description
1	TX	Transmit
2	RX	Receive
3	VDD	12V for logic
4	GND	Ground